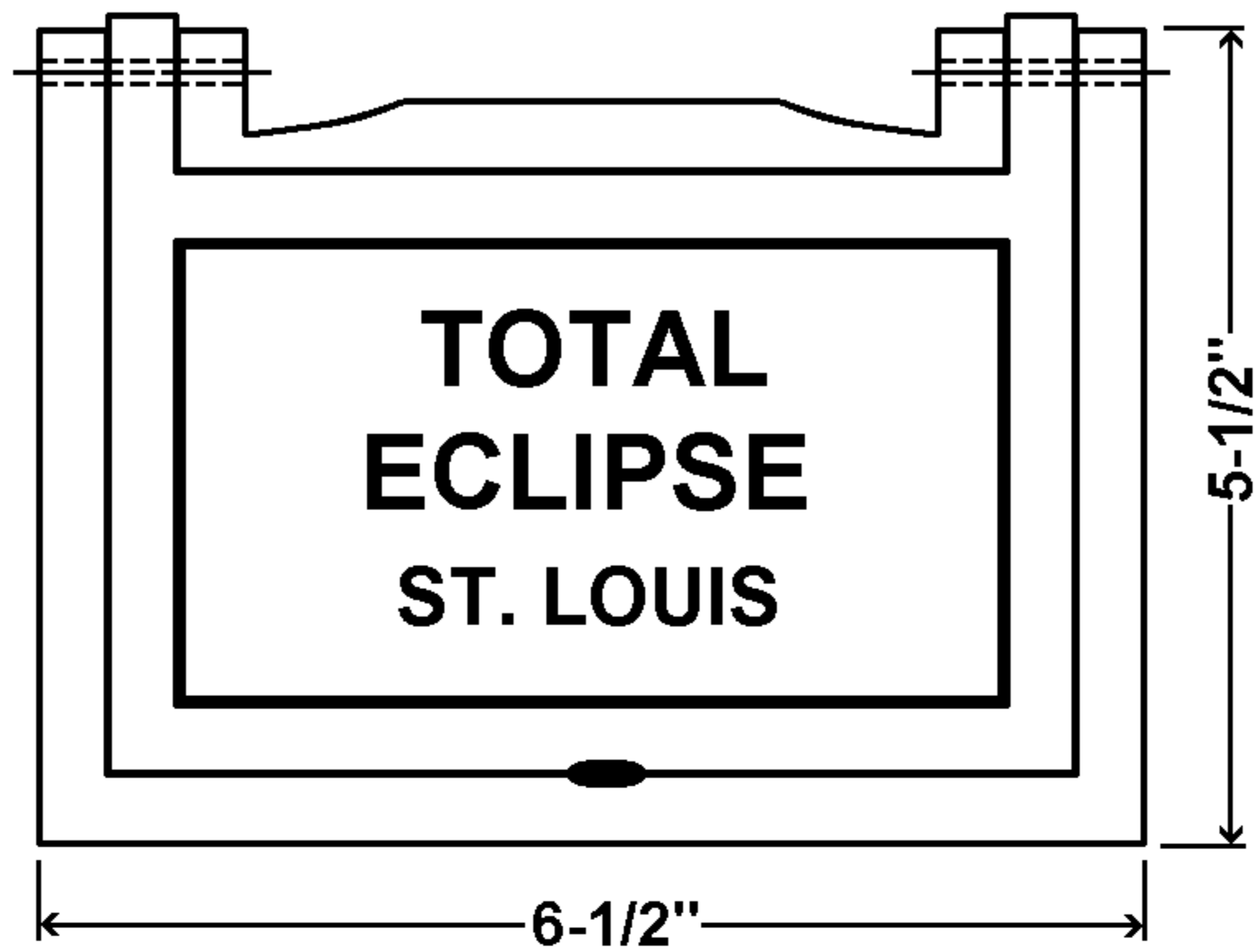
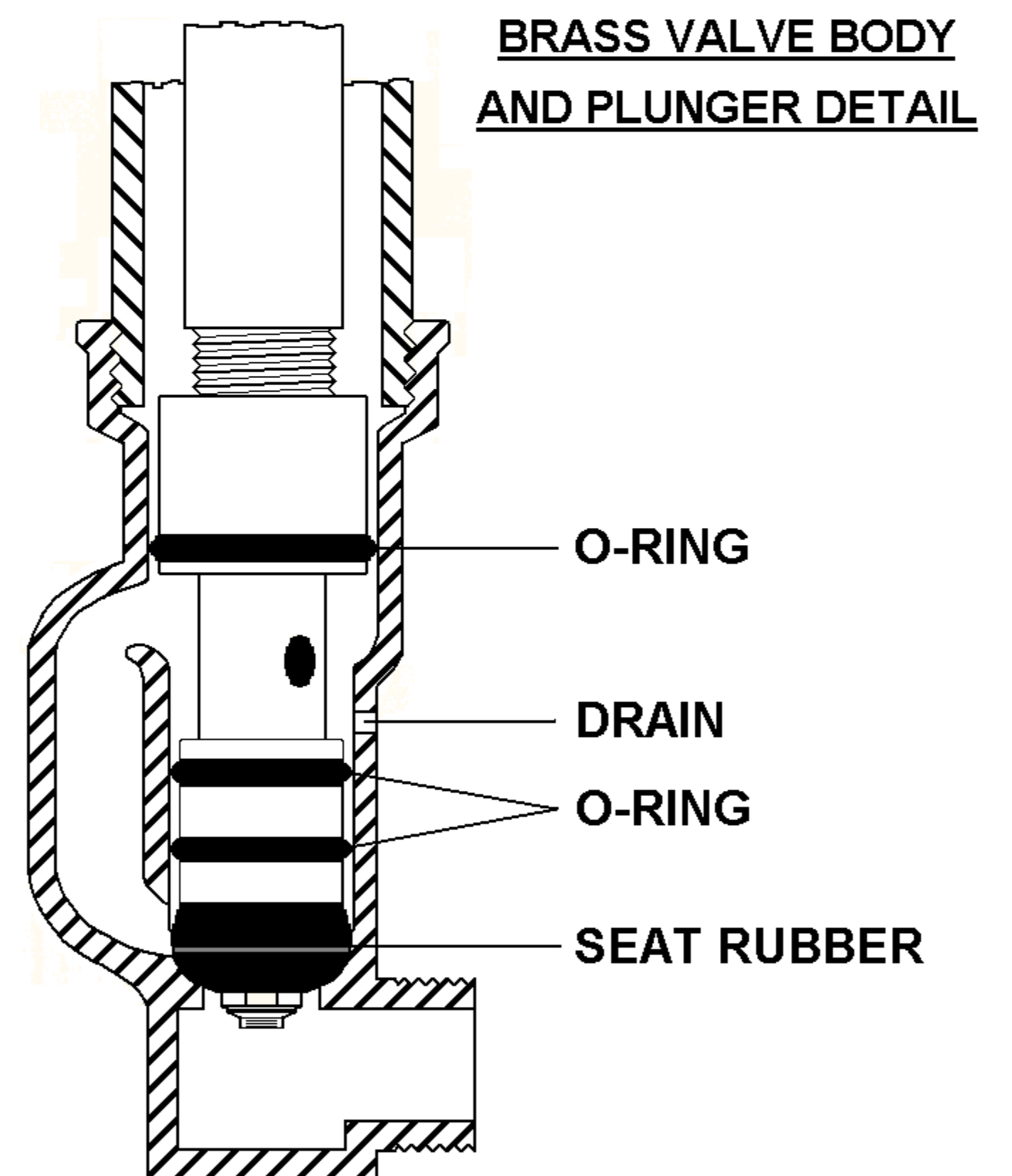
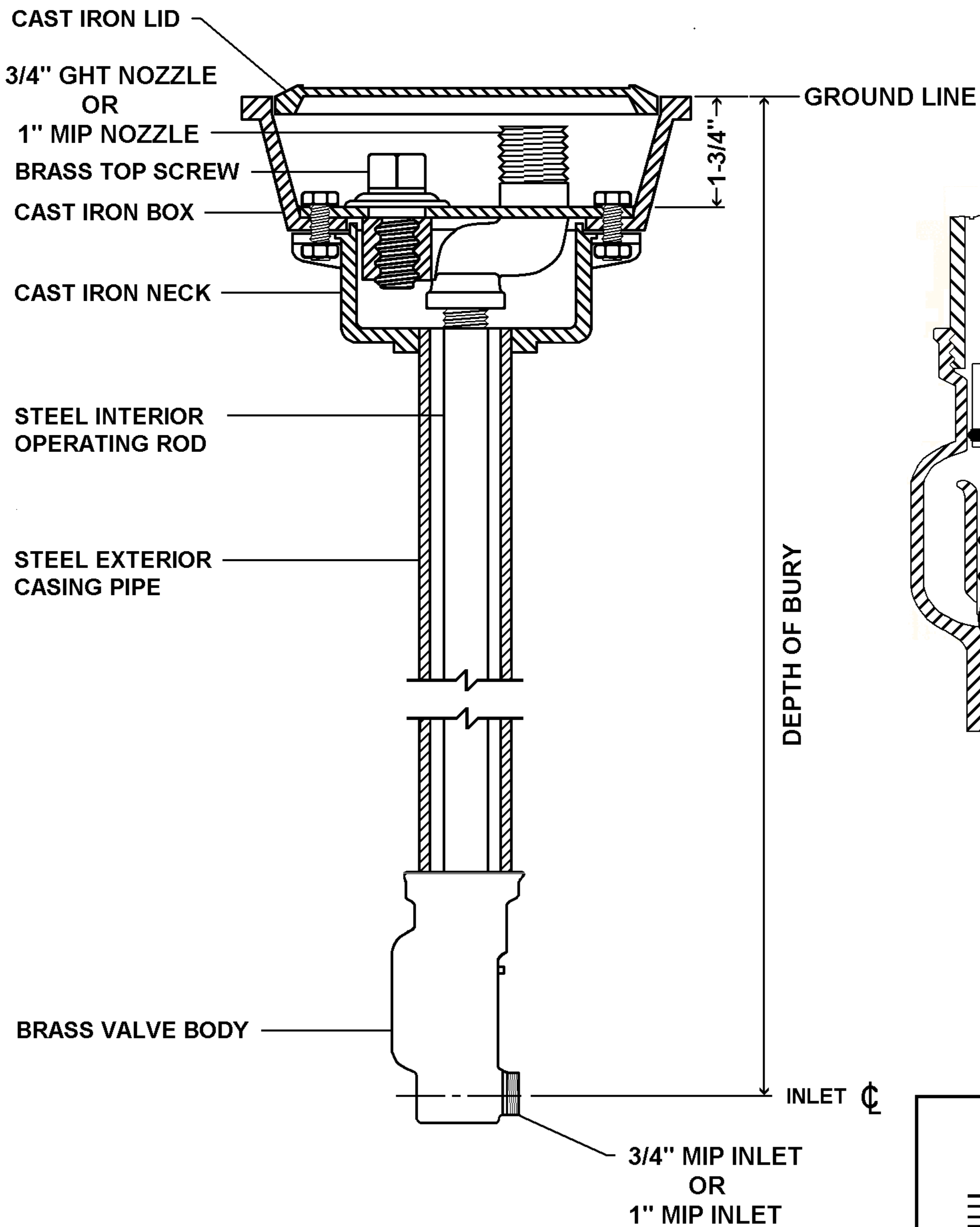


#36 TOTAL ECLIPSE STREET WASHER



3/4" GHT NOZZLE
OR
1" MIP NOZZLE



ECLIPSE
TRADEMARK REGISTERED
Since 1867

KUPFERLE FOUNDRY COMPANY

2511 N. 9TH STREET, ST. LOUIS, MO 63102
(314) 231-8738 FAX (314) 231-2820 (800) 231-3990