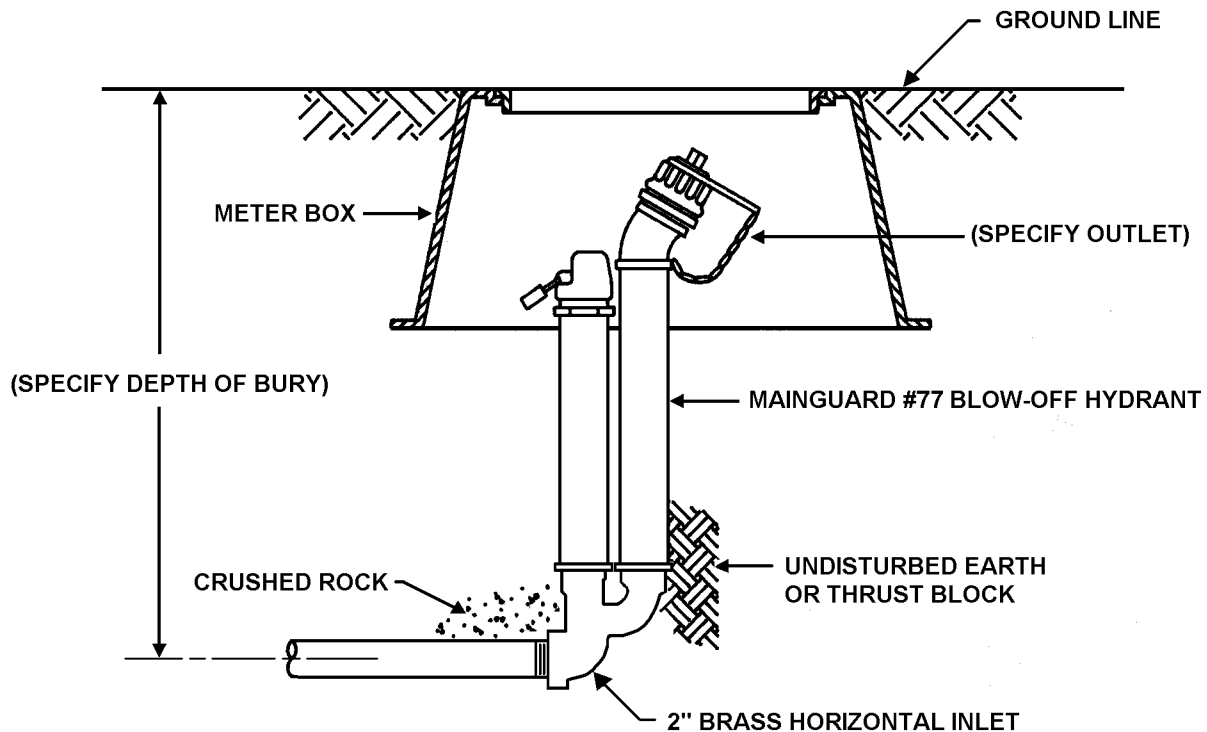


MAINGUARD NO. 78 BLOW-OFF HYDRANT



BLOW-OFF HYDRANTS SHALL BE NON-FREEZING, SELF DRAINING TYPE, WITH AN OVERALL LENGTH OF _____. SET UNDERGROUND IN A _____ METER BOX, THESE HYDRANTS WILL BE FURNISHED WITH A 2" FIP INLET, A NON-TURNING OPERATING ROD, AND SHALL OPEN TO THE LEFT. ALL OF THE WORKING PARTS SHALL BE OF BRONZE-TO-BRONZE DESIGN, AND BE SERVICABLE FROM ABOVE GRADE WITH NO DIGGING. THE OUTLET SHALL ALSO BE BRONZE AND BE 2-1/2" NST. HYDRANTS SHALL BE LOCKABLE TO PREVENT UNAUTHORIZED USE AS MANUFACTURED BY KUFERLE FOUNDRY CO., ST. LOUIS, MO OR APPROVED EQUAL.

(MINIMUM OPENING IN METER BOX SHOULD BE 18")