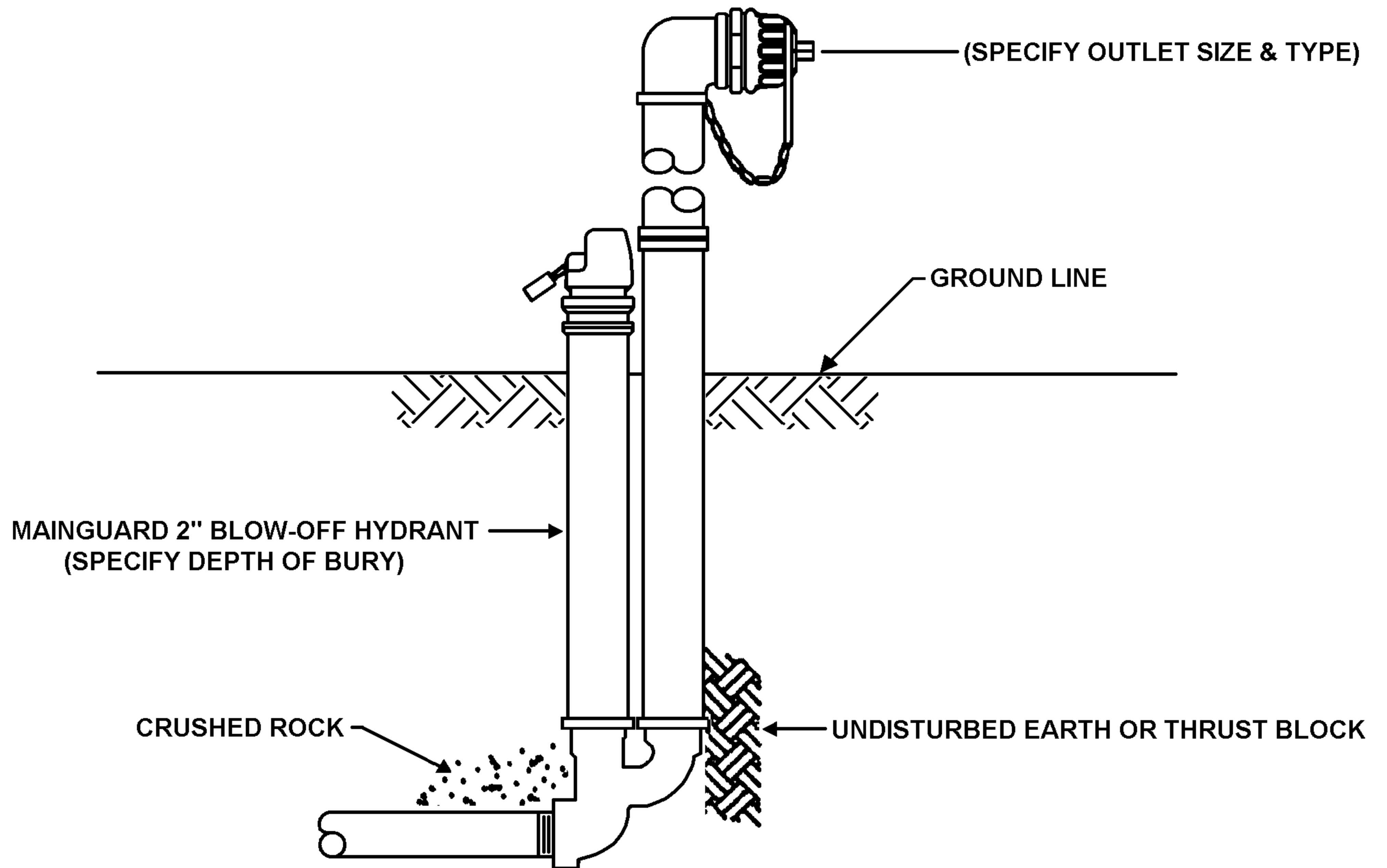


# MAINGUARD NO. 77 BLOW-OFF HYDRANT



POST HYDRANTS SHALL BE NON-FREEZING, SELF DRAINING TYPE WITH A \_\_\_\_\_ DEPTH OF BURY. THESE HYDRANTS WILL BE FURNISHED WITH A 2" FIP INLET, A NON-TURNING OPERATING ROD, AND SHALL OPEN TO THE LEFT. ALL WORKING PARTS SHALL BE BRONZE TO BRONZE DESIGN AND BE SERVICEABLE FROM ABOVE GRADE WITH NO DIGGING. THE OUTLET SHALL ALSO BE BRONZE AND BE 2-1/2" NST. HYDRANTS SHALL BE LOCKABLE TO PREVENT UNAUTHORIZED USE AS MANUFACTURED BY KUPFERLE FOUNDRY CO., ST. LOUIS, MO, OR APPROVED EQUAL.