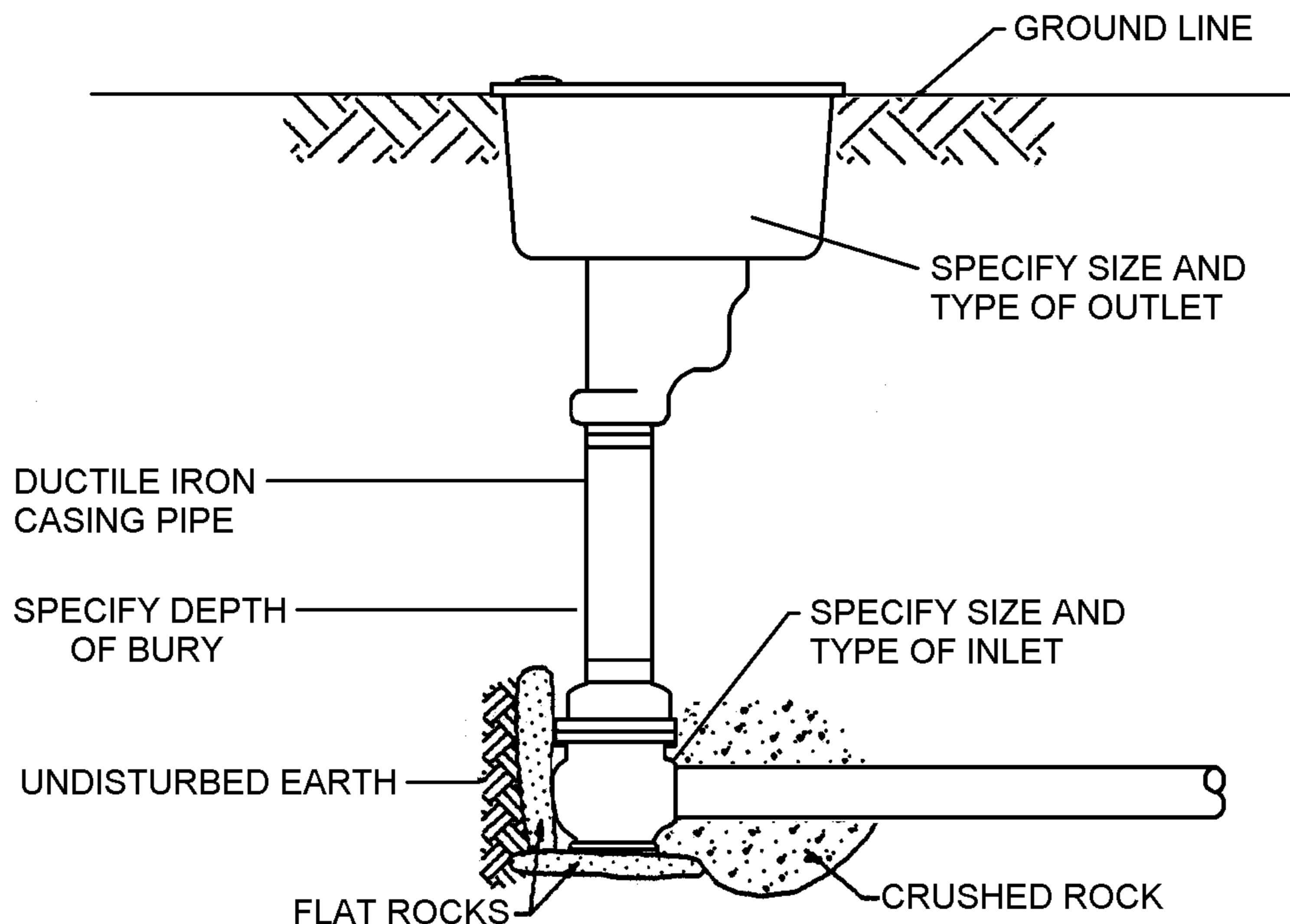


ECLIPSE NO. 85 BLOW-OFF HYDRANT



BLOW-OFF HYDRANTS SHALL BE ECLIPSE NO. 85 BOX HYDRANT AS MANUFACTURED BY JOHN C. KUPFERLE FOUNDRY CO., ST. LOUIS, MO.

HYDRANTS SHALL BE SELF-DRAINING, NON-FREEZING, COMPRESSION TYPE WITH A 2-3/16" MAIN VALVE OPENING. INLET CONNECTION SHALL BE 1-1/4", 1-1/2", 2", 3" IP OR 2", 3", 4" MJ. OUTLET SIZE SHALL BE ANY SIZE UP TO 2-1/2" NST.

HYDRANT SHALL HAVE A CAST IRON BOX, LOCKING LID, AND 3" DUCTILE IRON RISER PIPE. PRINCIPAL INTERIOR OPERATING PARTS SHALL BE BRASS AND REMOVABLE FROM HYDRANT FOR SERVICING WITHOUT EXCAVATING THE HYDRANT.

HYDRANTS SHALL BE SET IN 4 CUBIC FEET OF CRUSHED STONE TO ALLOW FOR PROPER DRAINAGE OF THE HYDRANT. RECOMMENDATIONS OF THE AWWA SHOULD BE FOLLOWED FOR INSTALLATION OF THE HYDRANTS.