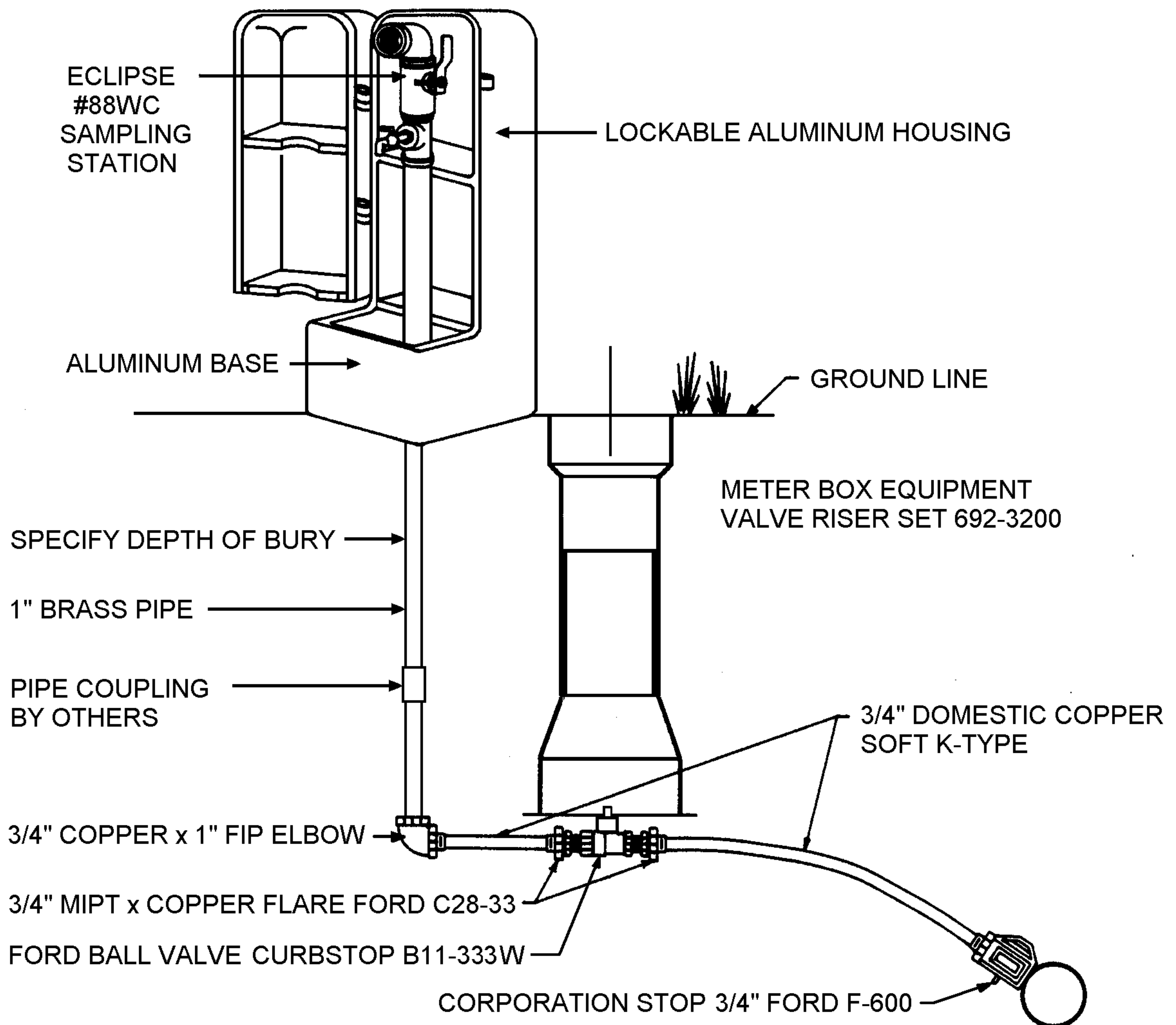


# ECLIPSE #88WC SAMPLING STATION



Sampling Stations shall be \_\_\_\_' bury, with a 1" MIP inlet, and a 1" FIP the discharge. A 1/8" sampling bibb shall be located before the discharge pipe.

All stations shall be enclosed in a lockable, nonremovable, aluminum-cast housing.

When opened, the station shall require no key for operation, and the water will flow in an all brass waterway.

All working parts will be of brass and serviceable from above ground with no digging. (Optional: If desired, a 1/2" brass drain tube shall be within the locking cover)

A 1" ball valve will control the water flow, and be located before (or after) the sampling bibb, as manufactured by Kupferle Foundry St. Louis, MO 63102.