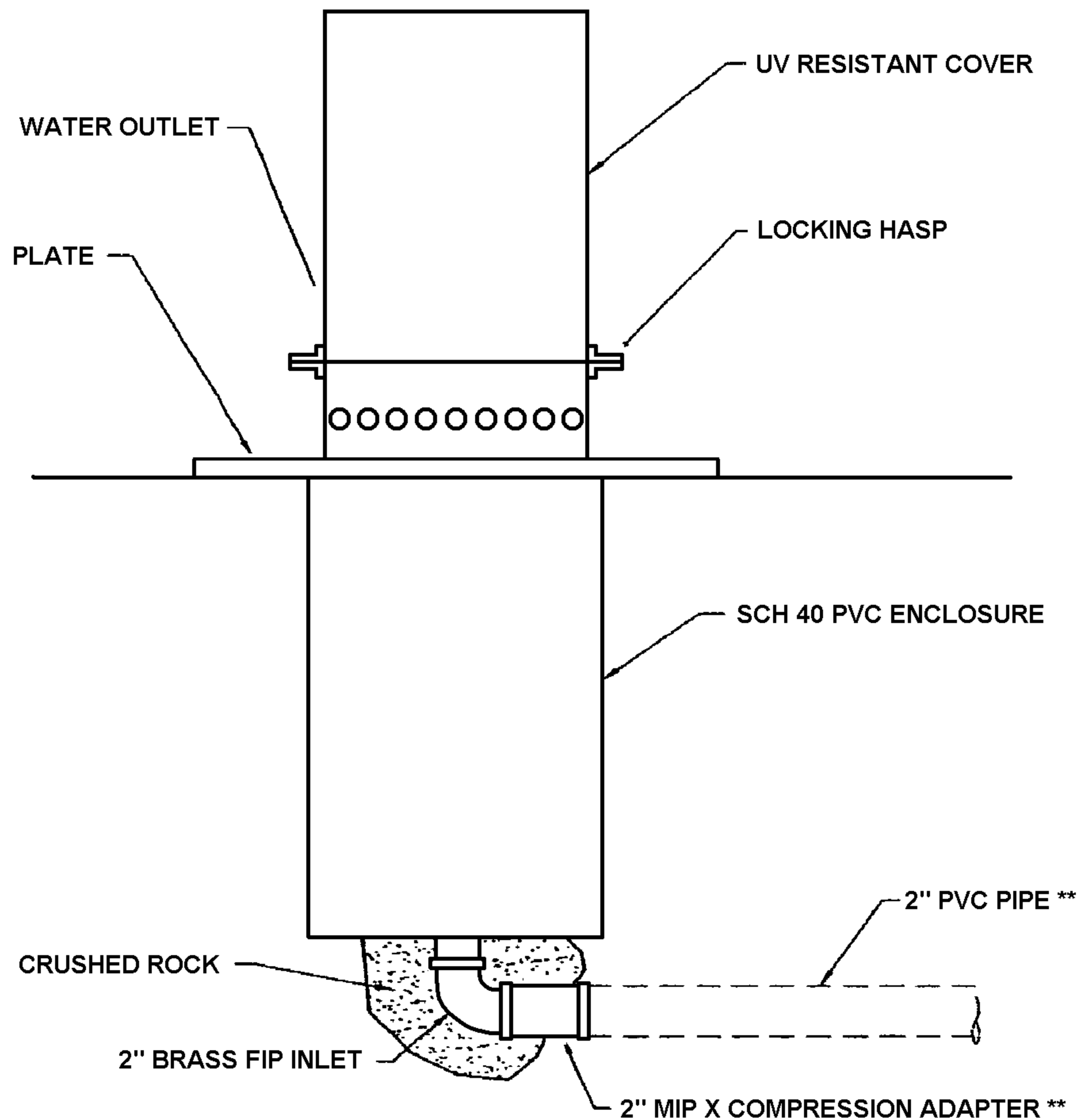


# #9400 ECLIPSE AUTOMATIC SPEC SHEET (ALL - CLIMATE)



\*\* = SUPPLIED BY OTHERS

AUTOMATIC FLUSHING DEVICE SHALL HAVE A 2" BRASS FIP INLET, LEADING VERTICALLY INTO A 2" AUTOMATIC SOLENOID VALVE. AUTOMATIC SOLENOID VALVE SHALL HAVE INTERNAL, SELF-CLEANING SCREEN, AND HAVE A 220 PSI RATING. EACH UNIT SHALL BE FURNISHED WITH A STAND-ALONE VALVE CONTROLLER. VALVE CONTROLLER WILL NOT REQUIRE A SECOND HAND DEVICE FOR PROGRAMMING, MUST HAVE A MINIMUM OF 9 POSSIBLE FLUSHING CYCLE PER DAY, SHALL BE SUBMERSIBLE TO 12 FEET, OPERATE WITH A 9 VOLT BATTERY, AND HAVE RESIN-SEALED ELECTRICAL COMPONENTS. SOLENOID SHALL HAVE NO LOOSE PARTS WHEN REMOVED FROM VALVE. EACH UNIT SHALL HAVE A DOUBLE-VALVE, ALL BRASS SAMPLING POINT, AND A UV RESISTANT GROUND PLATE. WATER SHALL EXIT UNIT HORIZONTALLY THROUGH HOLE LOCATED NEAR GROUNDLINE AND WATER FLOW SHALL BE ADJUSTABLE WITHOUT ACCESSING 2" SOLENOID VALVE. REMOVAL OF 2" SOLENOID VALVE SHALL BE POSSIBLE VIA AN O-RING CONNECTOR LOCATED UNDER THE VALVE AFTER REMOVAL OF THE STAINLESS STEEL ACCESS PLATE. UNDERGROUND PARTS SHALL BE HOUSED IN A PVC ENCLOSURE AND EACH UNIT SHALL BE SELF-DRAINING, NON FREEZING. ALL ABOVE GROUND COMPONENTS SHALL BE CONTAINED WITHIN A UV-RESISTANT LOCKING DOMES COVER, AS MANUFACTURED BY KUPFERLE FOUNDRY COMPANY MODEL #9400, ST. LOUIS, MO. 1-800-231-3990 OR APPROVED EQUAL.

**ECLIPSE**  
TRADEMARK  
REGISTERED  
Since 1857



**KUPFERLE FOUNDRY COMPANY**

2511 NORTH STREET, ST. LOUIS, MO 63102  
(314) 231-8738 FAX 231-2820 (800) 231-3990