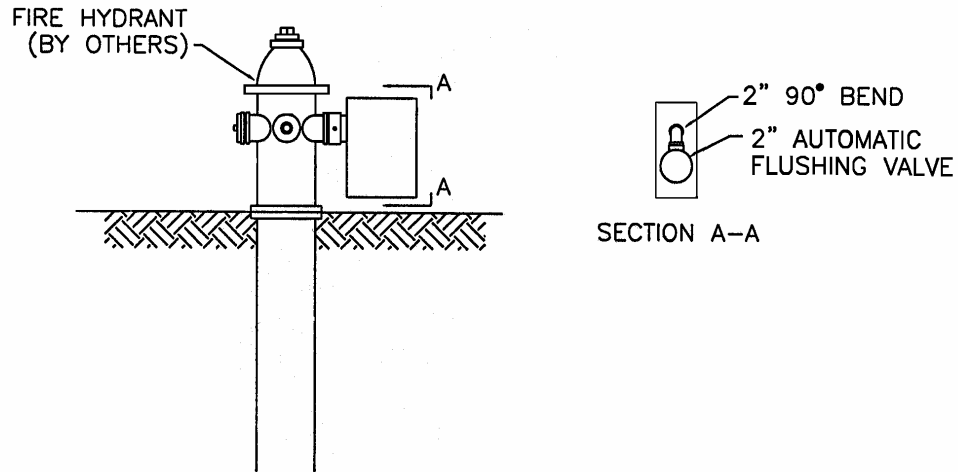


HYDRANT WITH AUTO FLUSHER



Attached to hydrants at location(s) _____ will be a 2" automatic flushing device. This device shall be housed in an aluminum, lockable enclosure, with 1/2" perforation in enclosure bottom to diffuse flushing water. Device shall be able to flush automatically for any length of time on a twice daily, daily, every other day, or weekly basis. Attachment to hydrant shall be a 2-1/2" NST brass swivel, and an option for attaching a 2" hose to device will be available if desired. Two keys shall be furnished with each powder-coated enclosure (color of _____), as manufactured by Kupferle Foundry Company, St. Louis, MO, or approved equal.