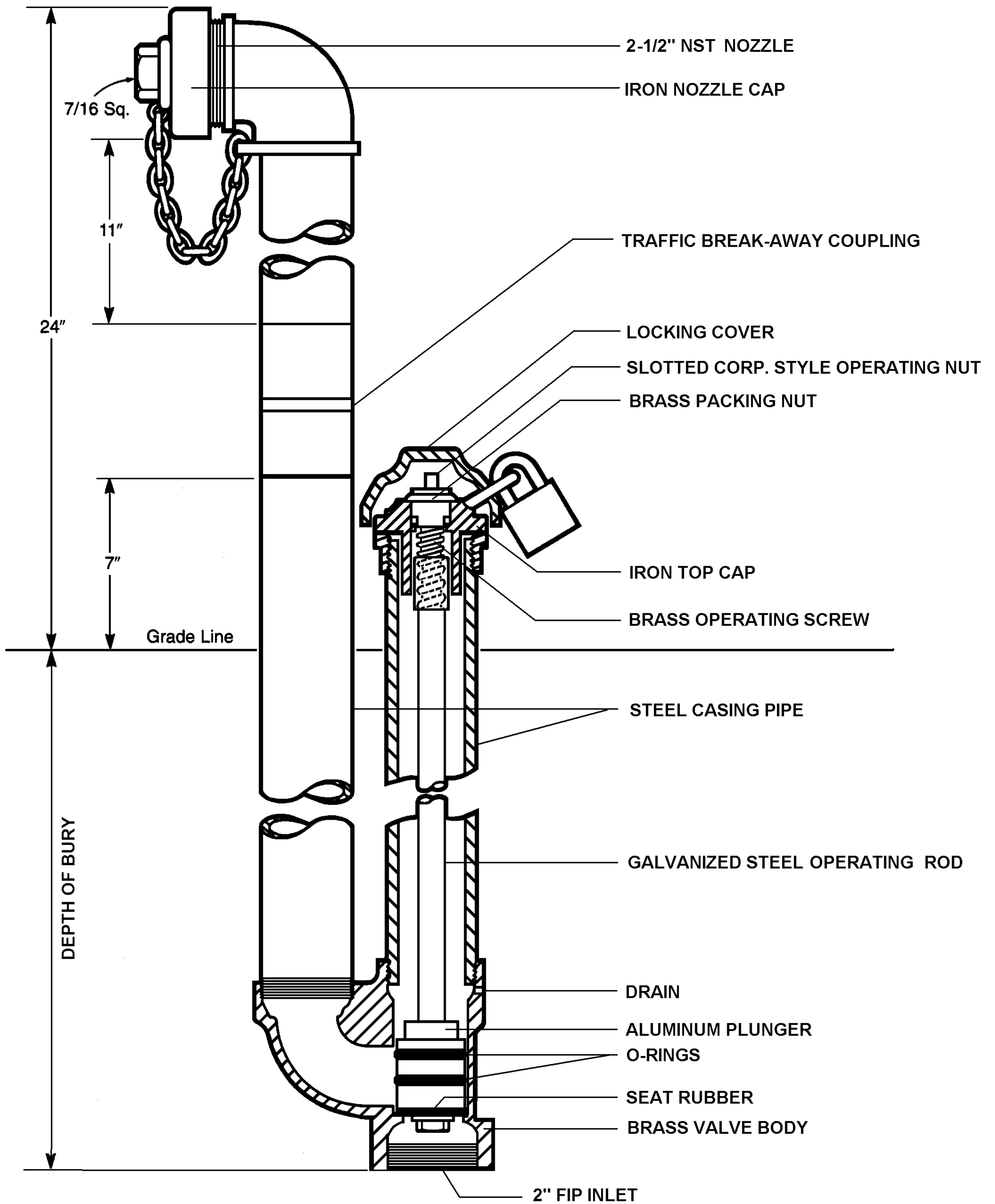


#77 MAINGUARD HYDRANT



Inlet Pressure (psi)	Flow Rate (gpm)
75	380
100	435
125	488
150	527

ECLIPSE
TRADEMARK REGISTERED Since 1857



KUPFERLE FOUNDRY COMPANY

2511 N. 9TH STREET, ST. LOUIS, MO 63102
 (314) 231-8738 FAX (314) 231-2820 (800) 231-3990