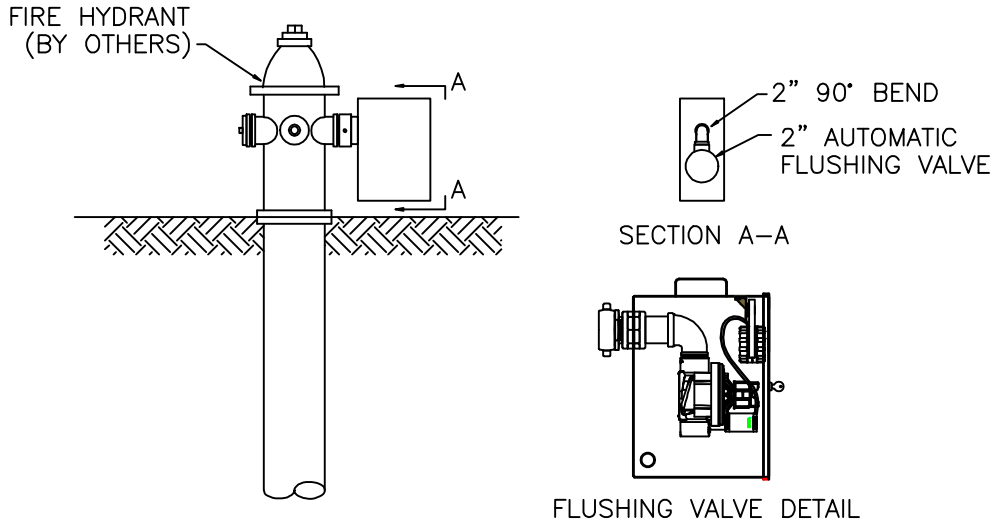


# #9700 AUTO FLUSHER ON FIRE HYDRANT



AUTOMATIC FLUSHING DEVICES SHALL BE ATTACHED TO HYDRANT IN THE FOLLOWING LOCATIONS\_\_\_\_\_ . A 2-1/2"NST SWIVEL CONNECTION WILL LEAD INTO A 2" AUTOMATIC SOLENOID VALVE. AUTOMATIC SOLENOID VALVE SHALL HAVE INTERNAL,SELF-CLEANING DEBRIS SCREEN,AND HAVE A 220 PSI RATING. EACH UNIT SHALL BE FURNISHED WITH A STAND-ALONE VALVE CONTROLLER. VALVE CONTROLLER WILL NOT REQUIRE A SECOND HAND HELD DEVICE FOR PROGRAMMING, MUST HAVE A MINIMUM CAPABILITY OF 9 POSSIBLE FLUSHING CYCLES PER DAY FOR UP TO FOUR HOURS EACH FLUSH, SHALL BE SUBMERSIBLE TO 12 FEET, OPERATE WITH A 9 VOLT BATTERY, AND HAVE RESIN-SEALED ELECTRICAL COMPONENTS. SOLENOID SHALL HAVE NO LOOSE PARTS WHEN REMOVED FROM VALVE. ALL COMPONENTS SHALL BE HOUSED INSIDE AN ALUMINUM, LOCKABLE ENCLOSURE, WITH 1/2" PERFORATIONS IN BOX FLOOR TO DIFFUSE FLUSHING WATER. REMOVABLE FLOOR PLATE SHALL ALLOW TO A 2" FIP OUTLET IF NEEDED. EACH BOX SHALL BE POWDER-COATED, AND COLOR SHALL BE(RED OR YELLOW) AS MANUFACTURED BY KUPFERLE FOUNDRY COMPANY MODEL #9700, ST. LOUIS, MO, 1-800-231-3990, OR APPROVED EQUAL.

**Note: Flush water lines free of debris before installation**

		DRAWN G.B.		<p><b>KUPFERLE FOUNDRY COMPANY</b>                  2511 NORTH 9TH STREET, ST. LOUIS, MO 63102                  314-281-8738 800-231-3990 FAX 314-213-2820  <a href="http://www.hydrants.com">http://www.hydrants.com</a></p>
		APPROVED		
		DATE 3-25-10		
		MAT'L		
		THIS DRAWING IS THE PROPERTY OF THE KUPFERLE FOUNDRY COMPANY. IT IS NOT TO BE USED OR DUPLICATED WITHOUT PERMISSION OF THE OWNER.		
DATE	REVISION	PART NO. #9700 AUTO FLUSHER ON FIRE	HYDRANT 1	OF 1