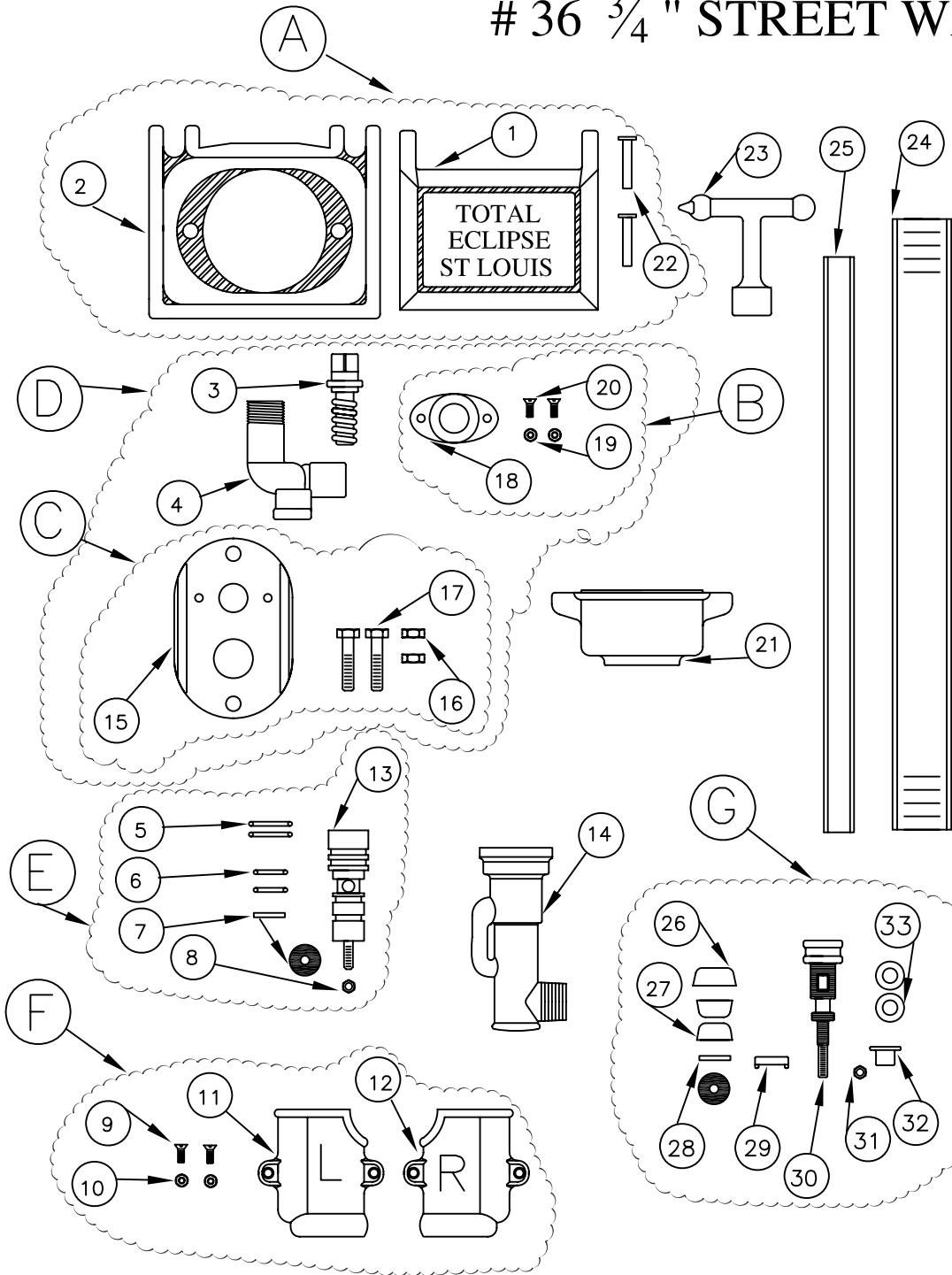


36 3/4" STREET WASHER



NO.	QTY.	PART NUMBER	DESCRIPTION
1	1	FIG. W	LID
2	1	330	BOX
3	1	141	OPERATING SCREW
4	1	338	ELBOW
5	2	327B	O-RING
6	2	10220	O-RING
7	1	328	RUBBER SEAT
8	1	311	NUT
9	2	346-S	SCREW
10	2	346-N	NUT
11	1	115L.H.	L.H. SAND CASING
12	1	115R.H.	R.H. SAND CASING
13	1	307-SN	N.S.- PLUNGER
14	1	300	VALVE
15	1	335	PLATE
16	2	344-N	NUT
17	2	88-16	SCREW
18	1	340	CAP
19	2	346-N	NUT
20	2	346-S	SCREW
21	1	342	CUP
22	2	347	RIVET
23	1	159	WRENCH
24	SPECIFY BURY	1 1/4 P	1 1/4" STEEL PIPE
25	SPECIFY BURY	1/2 P	1/2" STEEL PIPE
26	1	325	LEATHER CUP
27	2	327	LEATHER CUP
28	1	328	RUBBER SEAT
29	1	310	WING NUT
30	1	307	OLD STYLE PLUNGER STEM
31	1	311	NUT
32	1	309	CONE WASHER
33	2	88-14	S.S. WASHER

ASSEMBLIES

ASSEMBLY	QTY.	PART NUMBER	DESCRIPTION
A	1	X330	BOX COMPLETE
B	1	X340	CUP COMPLETE
C	1	X335	PLATE COMPLETE
D	1	X334	PLATE W/ BRASS COMPLETE
E	1	X305-NS	N.S.PLUNGER COMPLETE
F	1	X115	SAND CASE COMPLETE
G	1	X305	OLD STYLE COMPLETE
XFIG.A-NS	5-7		N.S. VALVE WASHER SET
XFIG-A	26-28		O.S. VALVE WASHER SET

