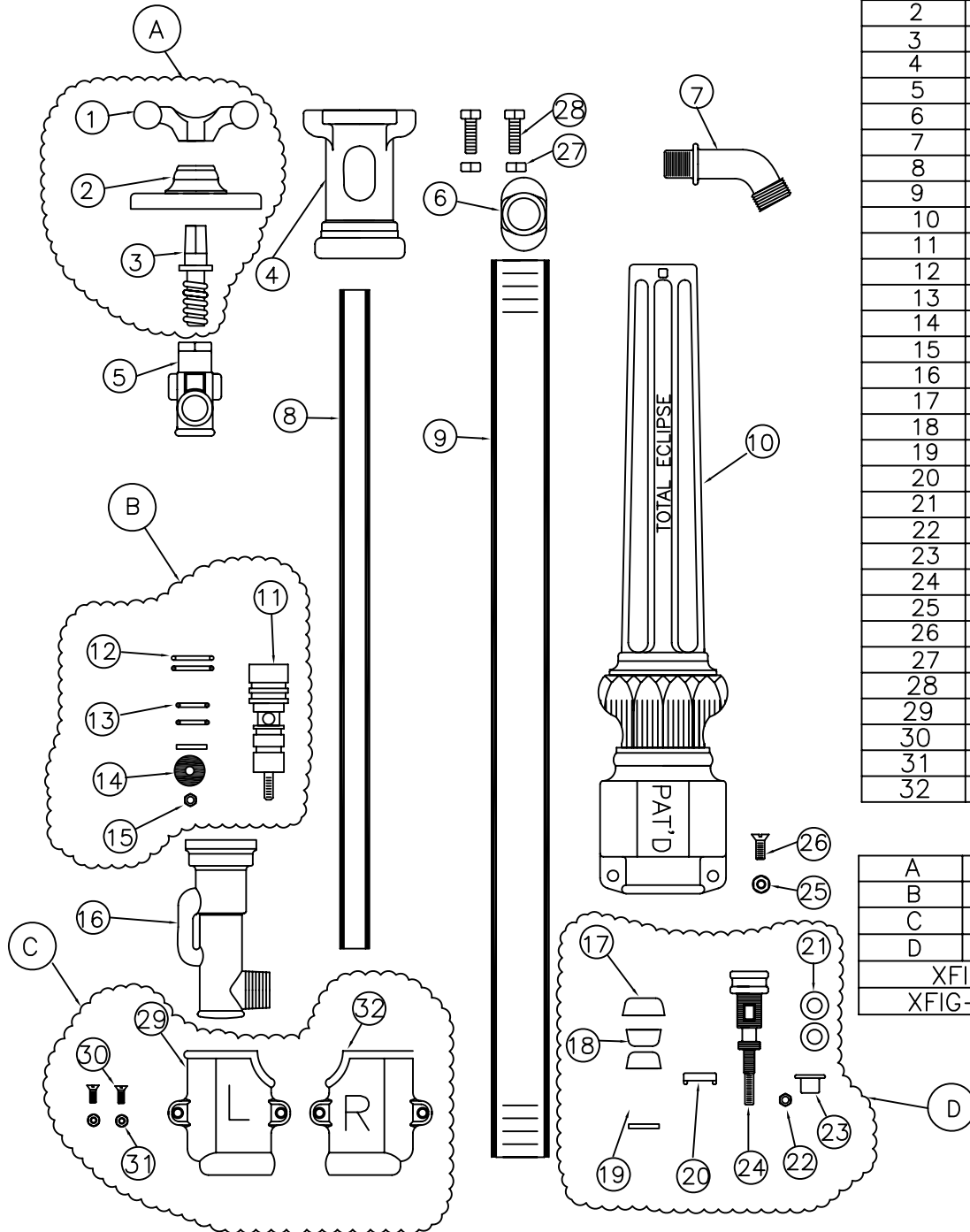


#1- 3/4" YARD HYDRANT

NO.	QTY.	PART NUMBER	DESCRIPTION
1	1	134	HANDLE
2	1	124	CAP
3	1	137	SCREW
4	1	315	NECK
5	1	318	ELBOW
6	1	322	SLIDE
7	1	320	NOZZLE
8	SPECIFY BURY	1/2 GAL.	1/2 GALVANIZED PIPE
9	SPECIFY BURY	1 1/4 PIPE	1 1/4 STEEL PIPE
10	2	182	HYDRANT CASE
11	1	307-NS	NEW STYLE PLUNGER STEM
12	2	327B	N.S. PLUNGER O-RING
13	2	10220	N.S. PLUNGER O-RING
14	1	328	SEAT RUBBER
15	1	311	BRASS NUT FOR PLUNGER
16	1	300	VALVE
17	1	325	LEATHER CUP
18	2	327	LEATHER CUP
19	1	328	SEAT RUBBER
20	1	310	BRASS WING NUT
21	2	88-14	S.S. WASHER
22	1	311	BRASS NUT FOR PLUNGER
23	1	309	BRASS CONE WASHER
24	1	307	PLUNGER STEM
25	2	345-N	HYDRANT CASE NUT
26	2	345-S	HYDRANT CASE SCREW
27	2	344-N	TOP CAP NUT
28	2	344-B	TOP CAP BOLT
29	1	115L.H.	LEFT HAND SAND CASE
30	2	346-S	SAND CASE SCREW
31	2	346-N	SAND CASE NUT
32	1	115R.H.	RIGHT HAND SAND CASE



ASSEMBLIES

ASSEMBLY	QTY.	PART NUMBER	DESCRIPTION
A	1	X130	CAP, HANDLE & SCREW COMPLETE W/ BOLTS
B	1	X305NS	NEW STYLE PLUNGER COMPLETE
C	1	X115	SAND CASING COMPLETE
D	1	X305	OLD STYLE PLUNGER COMPLETE
XFIG-A		17-19	OLD STYLE VALVE WASHER SET
XFIG-A-NS		12-14	NEW STYLE VALVE WASHER SET

