

4" MAINGUARD BLOW-OFF

FLUSH DEBRIS, NO ASSEMBLY, GO AUTOMATIC LATER

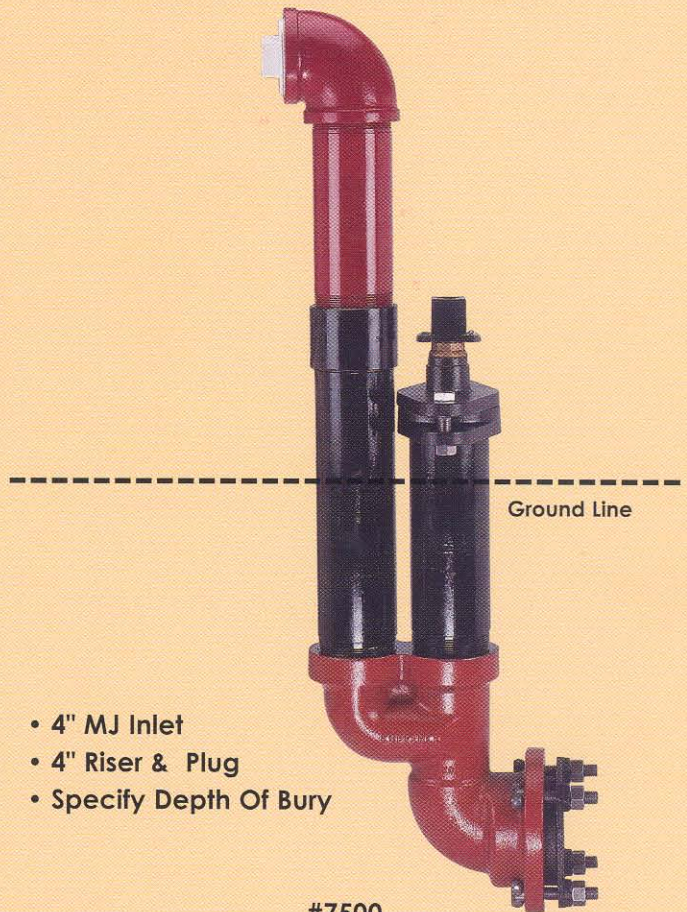
Underground Installation



- 4" MJ Inlet
- 4" FIP Outlet & Plug
- Specify Depth of Bury
- Install In Meter Box

#7600

Above Ground Installation



- 4" MJ Inlet
- 4" Riser & Plug
- Specify Depth Of Bury

#7500

Patent Pending



MainGuard



THE KUPFERLE FOUNDRY COMPANY

813 HEMPSTEAD STREET / ST. LOUIS, MISSOURI 63102
314-231-8738 FAX# 314-231-2820
<http://www.hydrants.com>

Call for Drawings
and Specs for
AutoCad
1-800-231-3990
(toll free)
or download
from website