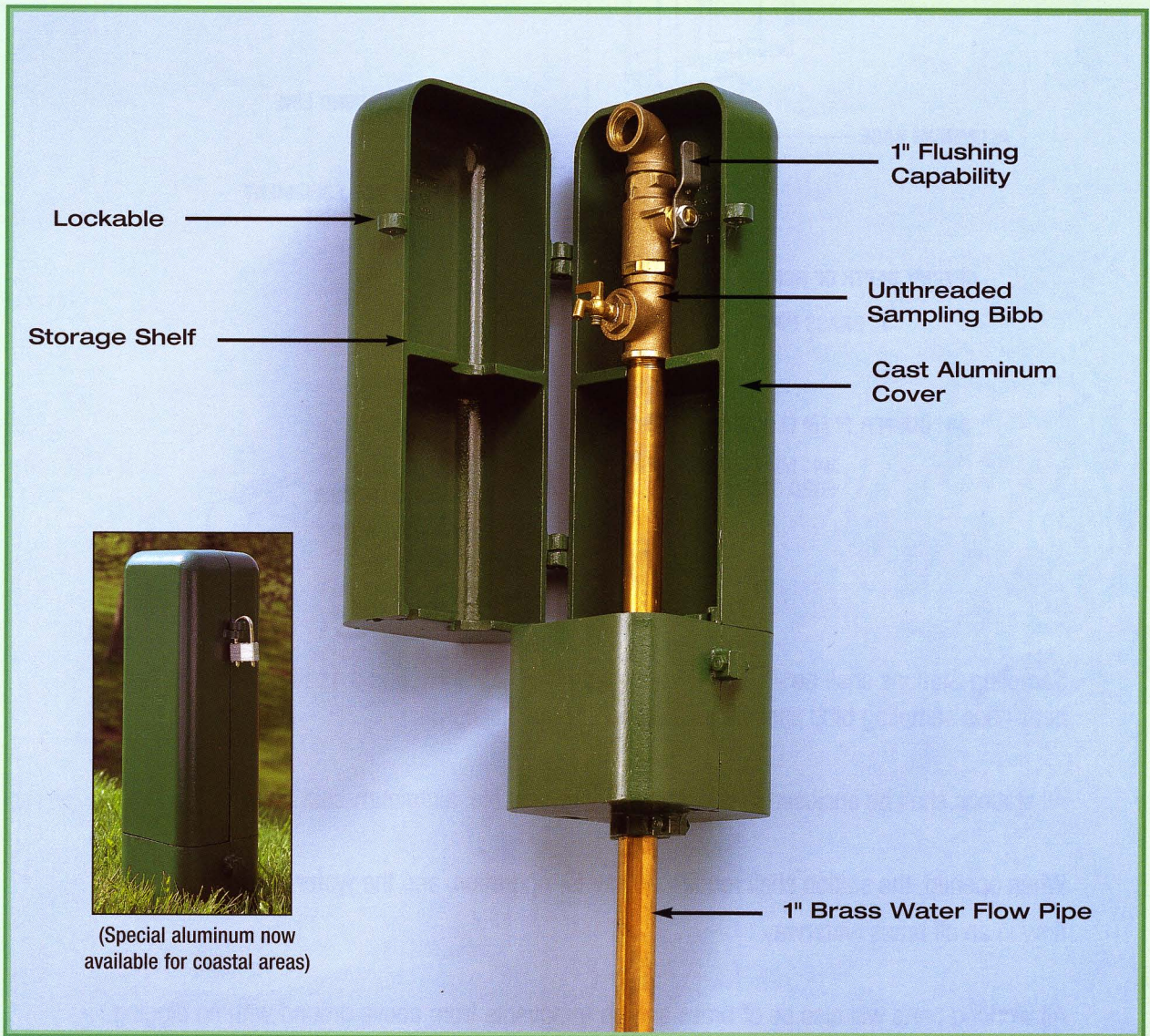


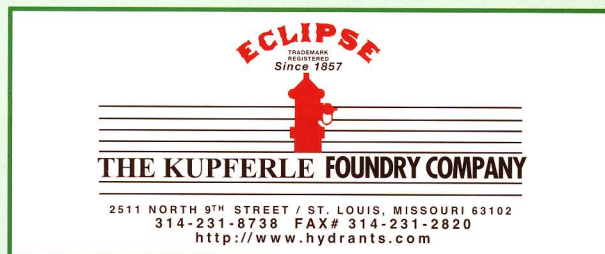
ECLIPSE™ NO. 88-WC

SAMPLING STATION FOR WARM CLIMATES

Ask for #88 in
Freezing Climates



www.samplingstations.com

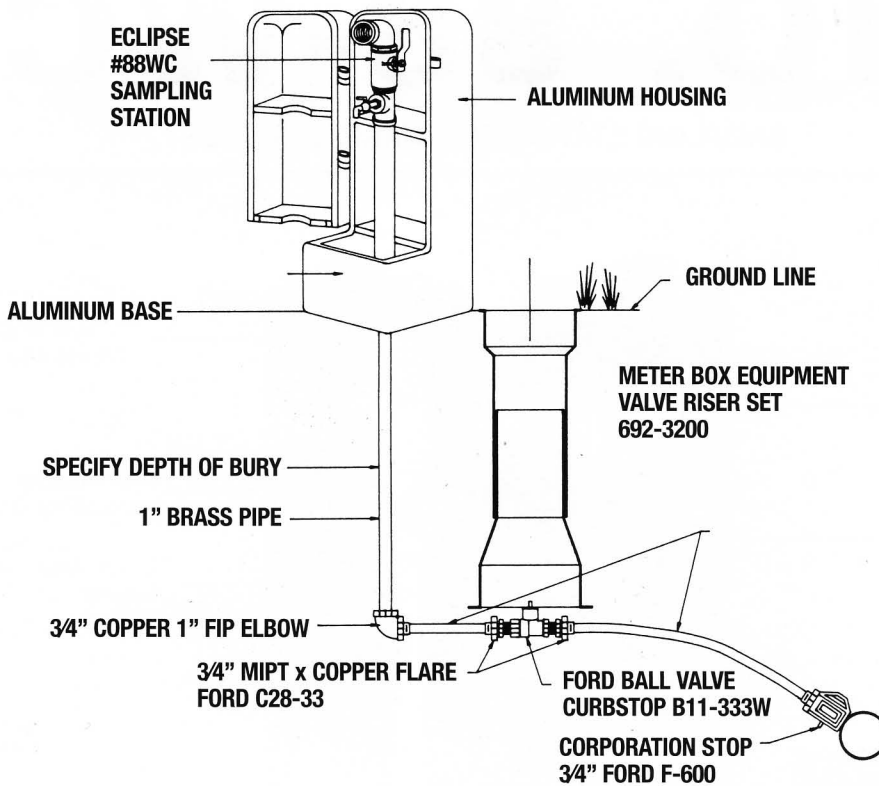


Call for Drawings
and Specs for
AutoCad
1-800-231-3990
(toll free)
or download
from website

Distributed by:

ECLIPSE™ NO. 88-WC

SAMPLING STATION FOR WARM CLIMATES



Sampling Stations shall be _____' bury, with a 1" MIP inlet, and a 1" FIP discharge. A 1/4" bent-nose sampling bibb shall be located before the discharge.

All stations shall be enclosed in a lockable, nonremovable, aluminum-cast housing.

When opened, the station shall require no key for operation, and the water will flow in an all brass waterway.

All working parts will also be of brass and be removable from above ground with no digging.

A 1" ball valve will control the water flow, and be located before (or after) the sampling bibb, as manufactured by Kupferle Foundry, St. Louis, MO 63102



Call Toll Free
1-888-HYDRANT