

Stop Your Blow-Off Problems Forever!

Specify Kupferle's *NEW SERVICEABLE* Truflo #TF550 Blow-Off for Warm Climates or Truflo #TF500 for Freezing Conditions



- Fits inside a standard 5¼" valve box
- Alternative to two valve box blow-off
- Easy to maintain without digging
- Provides powerful "full channel flow"
- 2" MIP Outlet
- 2" FIP Vertical (Straight) Inlet
- Low-Lead Option Available

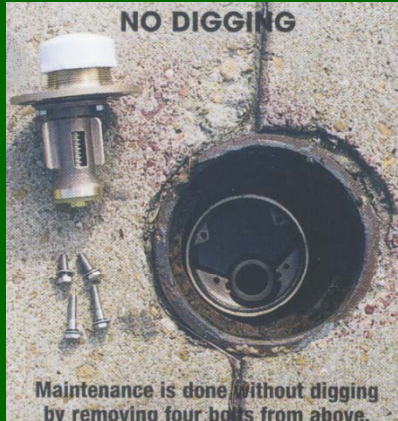
TRUFLO™

SIMPLE



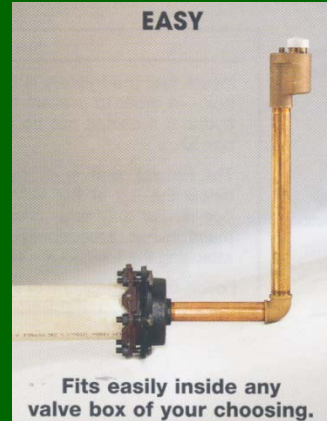
Compact unit is easy to handle and install.

NO DIGGING



Maintenance is done without digging by removing four bolts from above.

EASY

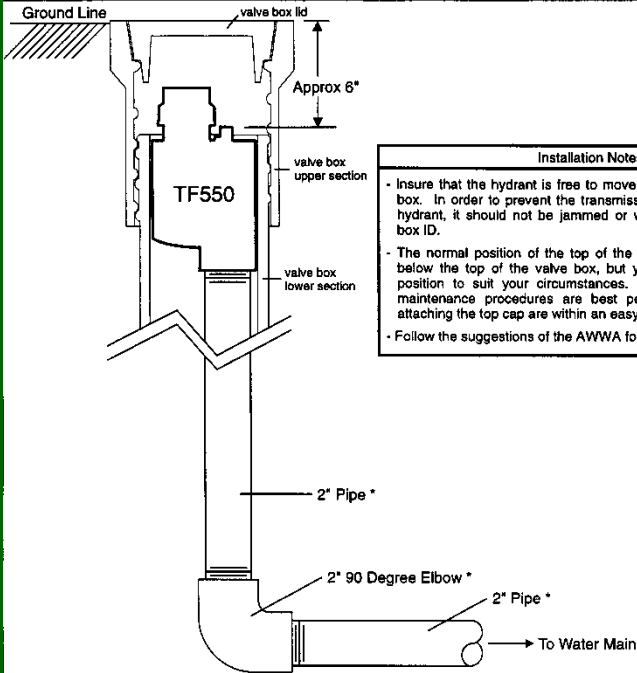


Fits easily inside any valve box of your choosing.

The Kupferle Foundry Company
2511 North 9th Street
St. Louis, MO 63102
800-231-3990 / www.hydrants.com
Contact us at info@hydrants.com



TF550 Installation and Specification



Installation Notes

- Insure that the hydrant is free to move vertically within the valve box. In order to prevent the transmission of traffic loads to the hydrant, it should not be jammed or wedged against the valve box ID.
- The normal position of the top of the operating nut is about 6" below the top of the valve box, but you can freely adjust this position to suit your circumstances. Just keep in mind that maintenance procedures are best performed when the bolts attaching the top cap are within an easy reach.
- Follow the suggestions of the AWWA for hydrant installation.

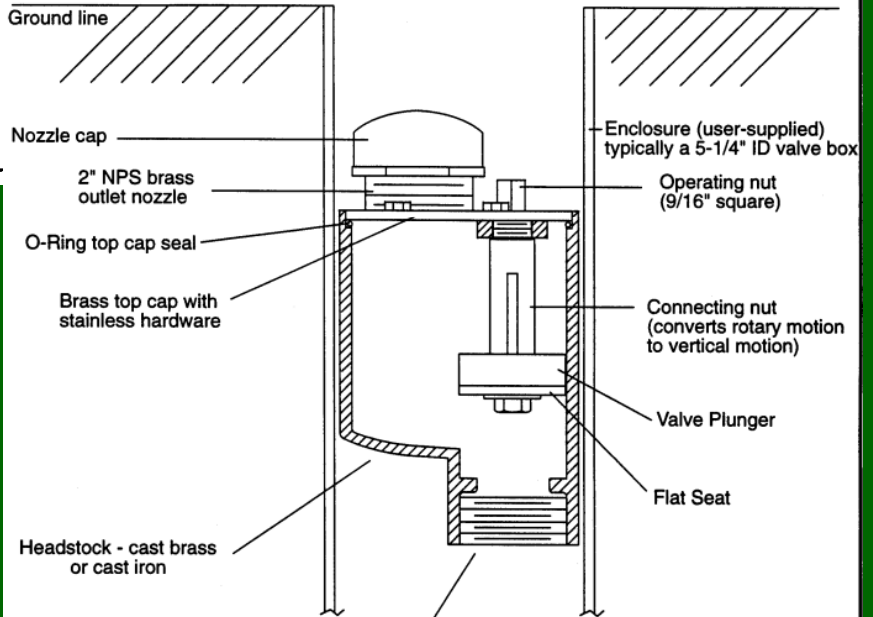
* = user-supplied

Sample TF550 Specification

Hydrant shall have a 2" Vertical FIP inlet and 2" NPT nozzle outlet. Hydrant shall be operated by turning a top-mounted 9/16" square operating nut counterclockwise to open, clockwise to close. All internal working parts, the inlet, and the outlet shall be low-lead brass. All working parts shall be serviceable from above with no digging required. All wear parts (o-rings and valve seat) shall be of commonly-available dimensions and materials, and none may be of vendor-unique design. Hydrant shall be the TruFlo Model TF550 as manufactured by The Kupferle Foundry Co., St. Louis MO 63102.

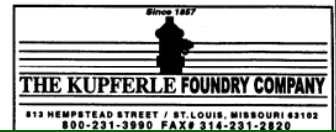
(Dwg. No. TF550INA)

© Copyright 1997, The Kupferle Foundry Co.



Inlet Pressure (psi)	Flow Rate (gpm)
75	400
100	481
125	511
150	568

(Dwg. No. 961078)



The Kupferle Foundry Company
2511 North 9th Street
St. Louis, MO 63102



800-231-3990
www.hydrants.com
Contact us at info@hydrants.com